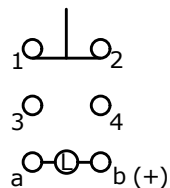
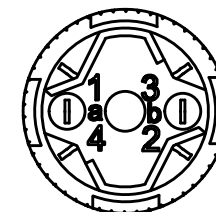
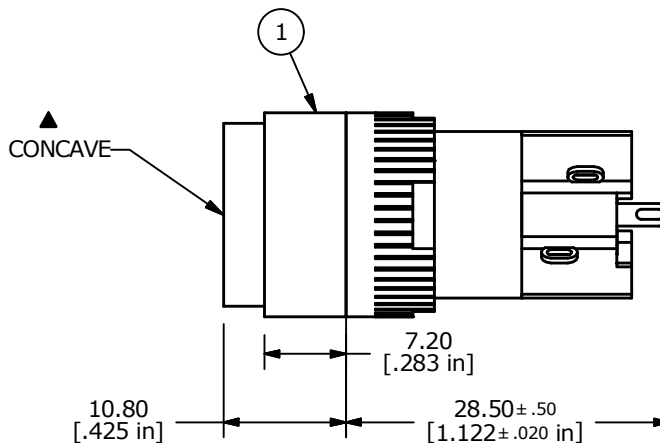
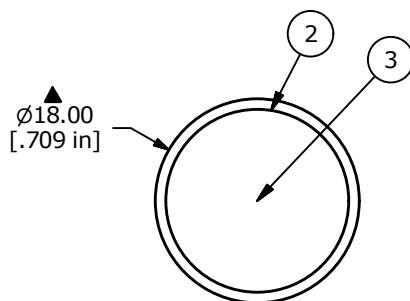


RECOMMENDED PANEL MOUNTING



SPDT
CONTACT CONFIGURATION
(MOMENTARY)



NOTE:

1. ALL DIMENSIONS IN MM [INCH].
2. GENERAL TOLERANCE: X.X=±0.4
X.XX=±0.25
3. TERMINAL NUMBERS FOR REF ONLY.
- ▲ 4. CONTACT RATING: 5A @ 250VAC,
8A @ 125VAC,
6A @ 24VDC
5. ELECTRICAL LIFE: 50,000 OPERATIONS
6. INSULATION RESISTANCE: 1,000 MEGA-OHM MIN.
- ▲ 7. CONTACT MATERIAL: SILVER PLATED COPPER ALLOY
8. ACTUATION FORCE: 300g / POLE
9. OPERATING TEMP.: -25°C to +55°C
10. ▲ DENOTES CRITICAL PARAMETER.
- ▲ 11. LAMP VOLTAGE: LED 6V DC GREEN
12. 2002/95/EC (ROHS) COMPLIANT

PARTS LIST			
ITEM	QTY	PART NUMBER	DESCRIPTION
1	1	F040009	D160AR11
2	1	F050102	50-001-02 TRANSPARENT GREEN LENS
3	1	F050416	50-004-16 GREEN LED 6 VDC



A	22274	NEW RELEASE	4/15/16	MJR
REV	PCR NO	DESCRIPTION	DATE	BY

TITLE D160AR11HGRNGRN				
SCALE	DATE	DR	DWG	REV
1.5:1	4/15/2016	MJR	XF0386P	A

THE INFORMATION CONTAINED IN THIS DOCUMENT IS PROPRIETARY TO E-SWITCH AND IS NOT TO BE COPIED OR TRANSFERRED